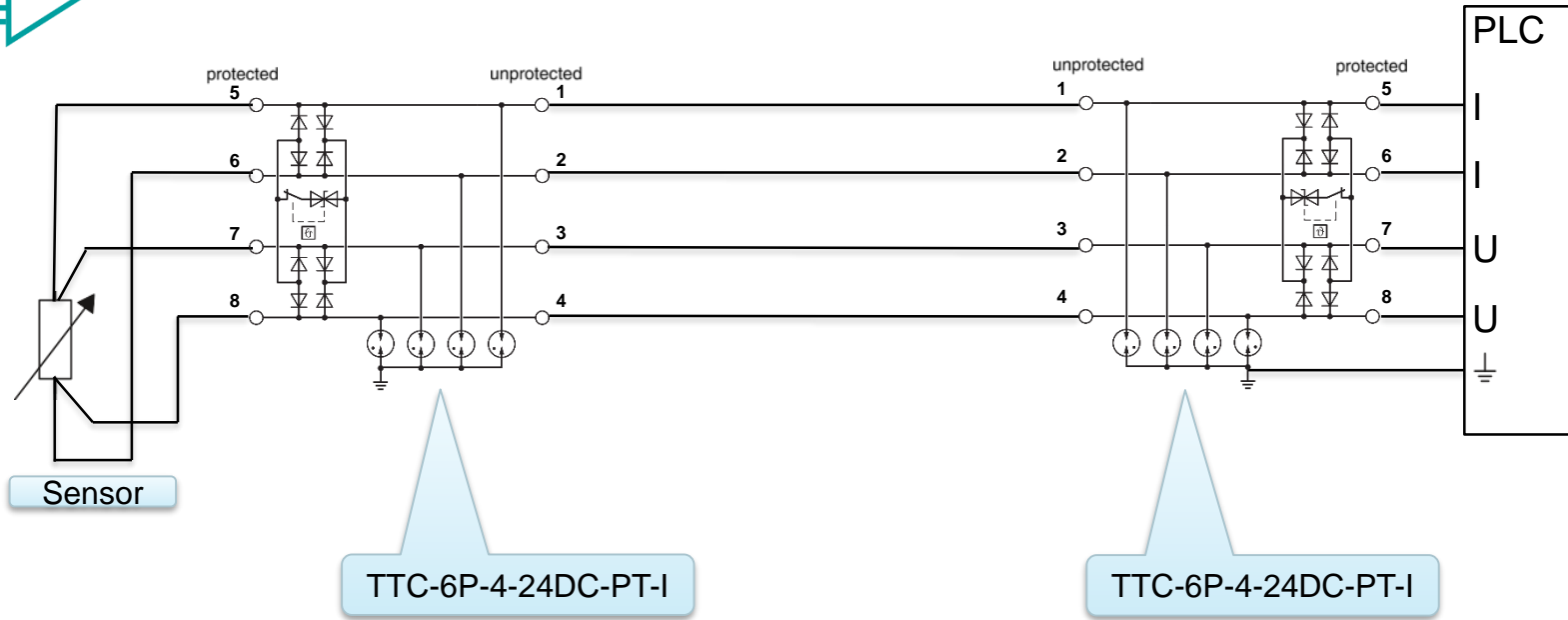


Surge protection for a „four-wire“ measurement



Surge protection for a „four-wire“ measurement

