

Compact series

Connection technology:

- Push-in connection
- Axial screw connection

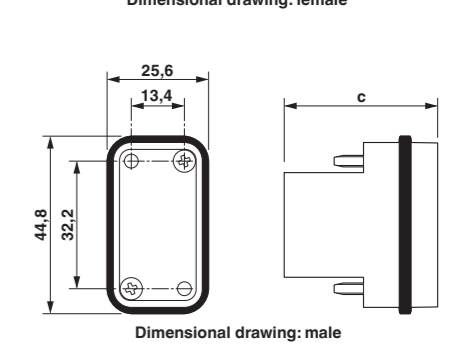
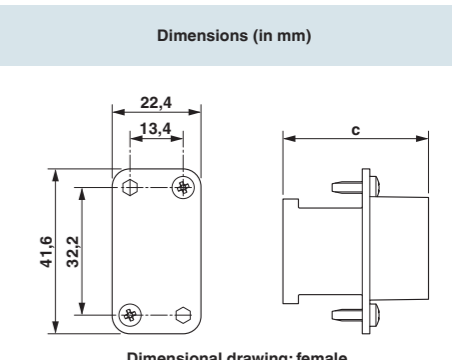
To determine the corresponding housing, see the system cross-reference list on page 502.

Notes:
 For accessories, see from page 654
 Only operate connectors when there is no load/the power is switched off



Type	Technical data			
	① HC-COM-Q08-I-PT-...		② HC-COM-Q4/2-I-AT-...	
	Power contacts	Control contacts	Power contacts	Control contacts
Approvals	-			
IEC data	-			
Rated current [A]	-	III	-	III
Overvoltage category	-	3	-	3
Degree of pollution	-	-	-	-
Rated voltage (III/3) contacts [V]	-	-	-	-
Rated surge voltage, contacts [kV]	-	-	-	-
Connection cross section [mm ²]	-	-	-	-
UL data	-			
Rated voltage [V]	-	-	-	-
Rated current [A]	-	-	-	-
Connection cross section AWG	-	-	-	-
CSA / cUL data	-			
Rated voltage [V]	-	-	-	-
Rated current [A]	-	-	-	-
Connection cross section AWG	-	-	-	-
Material data	-			
Contact carrier material	PC		PC	
Inflammability class in acc. with UL 94	V0		V0	
Contact material	Copper alloy		Copper alloy	
Contact surface material	-	-	Ag	Ag (alternatively Au)
Temperature data	-			
Ambient temperature range [°C]	-40 ... 125		-40 ... 125	
General data	-			
Connection method	-	-	-	-
Stripping length [mm]	-	-	-	-
Number of positions	8	0	4	2
Contact numbering	-	-	-	-
Insertion/withdrawal cycles	≥ 500		≥ 500	

Description	Pos.	Number	Size	Type	Ordering data		Pcs./Pkt.
					Female	Male	
Push-in connection	8	1 - 8	COM	① HC-COM-Q08-I-PT-...	1079554	1079553	1
Axial screw connection	4 / 2	1 - 4	COM	② HC-COM-Q4/2-I-AT-...	1079557	1079558	1



	a	b	c	d
① Female	45		48.05	
① Male				
② Female	42		48	
② Male				

Accessories



Dummy sockets
From page 657

Compact series

Connection technology:
– Crimp connection

To determine the corresponding housing, see the system cross-reference list on page 502.

Notes:
For accessories, see from page 654
Only operate connectors when there is no load/the power is switched off



Type	Technical data			
	① HC-COM-Q08-I-CT...		② HC-COM-Q4/2-I-CT...	
	Power contacts	Control contacts	Power contacts	Control contacts
Approvals	-			
IEC data	-			
Rated current [A]	-	-	-	-
Overvoltage category	-	III	-	III
Degree of pollution	-	3	-	3
Rated voltage (III/3) contacts [V]	-	-	-	-
Rated surge voltage, contacts [kV]	-	-	-	-
Connection cross section [mm ²]	-	-	-	-
UL data	-			
Rated voltage [V]	-	-	-	-
Rated current [A]	-	-	-	-
Connection cross section AWG	-	-	-	-
CSA / cUL data	-			
Rated voltage [V]	-	-	-	-
Rated current [A]	-	-	-	-
Connection cross section AWG	-	-	-	-
Material data	-			
Contact carrier material	PC		PC	
Inflammability class in acc. with UL 94	V0		V0	
Contact material	Copper alloy		Copper alloy	
Contact surface material	-	-	Ag	Ag (alternatively Au)
Temperature data	-			
Ambient temperature range [°C]	-40 ... 125		-40 ... 125	
General data	-			
Connection method	-	-	-	-
Stripping length [mm]	-	-	-	-
Number of positions	8	0	4	2
Contact numbering	-	-	-	-
Insertion/withdrawal cycles	≥ 500		≥ 500	

Description	Pos.	Number	Size	Ordering data			Pcs./Pkt.	Dimensions (in mm)																									
				Type	Order No. Female	Order No. Male																											
Crimp connection	8	1 - 8	COM	① HC-COM-Q08-I-CT...	1079547	1079548	1	<p>Dimensional drawing: female</p>																									
Crimp connection	4 / 2	1 - 4	COM	② HC-COM-Q4/2-I-CT...	1079556	1079555	1	<p>Dimensional drawing: male</p>																									
Turned crimp contacts CK 1,6 Silver-plated				Cross section mm² / AWG				<table border="1"> <thead> <tr> <th></th> <th>a</th> <th>b</th> <th>c</th> <th>d</th> </tr> </thead> <tbody> <tr> <td>① Female</td> <td>45</td> <td></td> <td>48.05</td> <td></td> </tr> <tr> <td>① Male</td> <td></td> <td></td> <td></td> <td></td> </tr> <tr> <td>② Female</td> <td>42</td> <td></td> <td>48</td> <td></td> </tr> <tr> <td>② Male</td> <td></td> <td></td> <td></td> <td></td> </tr> </tbody> </table>		a	b	c	d	① Female	45		48.05		① Male					② Female	42		48		② Male				
	a	b	c	d																													
① Female	45		48.05																														
① Male																																	
② Female	42		48																														
② Male																																	
				0.14 - 0.37 / 26 - 22	CK1,6-ED-0,37... AG	1663394	1663336																										
				0.5 - 0.5 / 20	CK1,6-ED-0,50... AG	1663404	1663349																										
				0.75 - 0.75 / 18	CK1,6-ED-0,75... AG	1663417	1663352																										
				0.75 - 1 / 18	CK1,6-ED-1,00... AG	1663420	1663365																										
				1.5 - 1.5 / 16	CK1,6-ED-1,50... AG	1663433	1663378																										
				2.5 - 2.5 / 14	CK1,6-ED-2,50... AG	1663446	1663381																										
Turned crimp contacts CK 2,5 Silver-plated				Cross section mm² / AWG				<table border="1"> <thead> <tr> <th></th> <th>a</th> <th>b</th> <th>c</th> <th>d</th> </tr> </thead> <tbody> <tr> <td>① Female</td> <td>45</td> <td></td> <td>48.05</td> <td></td> </tr> <tr> <td>① Male</td> <td></td> <td></td> <td></td> <td></td> </tr> <tr> <td>② Female</td> <td>42</td> <td></td> <td>48</td> <td></td> </tr> <tr> <td>② Male</td> <td></td> <td></td> <td></td> <td></td> </tr> </tbody> </table>		a	b	c	d	① Female	45		48.05		① Male					② Female	42		48		② Male				
	a	b	c	d																													
① Female	45		48.05																														
① Male																																	
② Female	42		48																														
② Male																																	
				0.5 - 0.5 / 20	CK2,5-ED-0,50... AG	1663640	1663572																										
				0.75 - 0.75 / 18	CK2,5-ED-0,75... AG	1663653	1663585																										
				0.75 - 1 / 18	CK2,5-ED-1,00... AG	1663666	1663598																										
				1.5 - 1.5 / 16	CK2,5-ED-1,50... AG	1663679	1663608																										
				2.5 - 2.5 / 14	CK2,5-ED-2,50... AG	1663682	1663611																										
				4 - 4 / 12	CK2,5-ED-4,00... AG	1663705	1663637																										
Turned crimp contacts CK 4,0 Silver-plated				Cross section mm² / AWG				<table border="1"> <thead> <tr> <th></th> <th>a</th> <th>b</th> <th>c</th> <th>d</th> </tr> </thead> <tbody> <tr> <td>① Female</td> <td>45</td> <td></td> <td>48.05</td> <td></td> </tr> <tr> <td>① Male</td> <td></td> <td></td> <td></td> <td></td> </tr> <tr> <td>② Female</td> <td>42</td> <td></td> <td>48</td> <td></td> </tr> <tr> <td>② Male</td> <td></td> <td></td> <td></td> <td></td> </tr> </tbody> </table>		a	b	c	d	① Female	45		48.05		① Male					② Female	42		48		② Male				
	a	b	c	d																													
① Female	45		48.05																														
① Male																																	
② Female	42		48																														
② Male																																	
				1.5 - 1.5 / 16	CK4,0-ED-1,50... AG	1663271	1663239																										
				2.5 - 2.5 / 14	CK4,0-ED-2,50... AG	1663284	1663242																										
				4 - 4 / 12	CK4,0-ED-4,00... AG	1663297	1663255																										
				6 - 6 / 10	CK4,0-ED-6,00... AG	1663307	1663268																										

Accessories



Dummy sockets
From page 657



Crimping tools
From page 670



Crimp contacts, gold-plated
From page 666