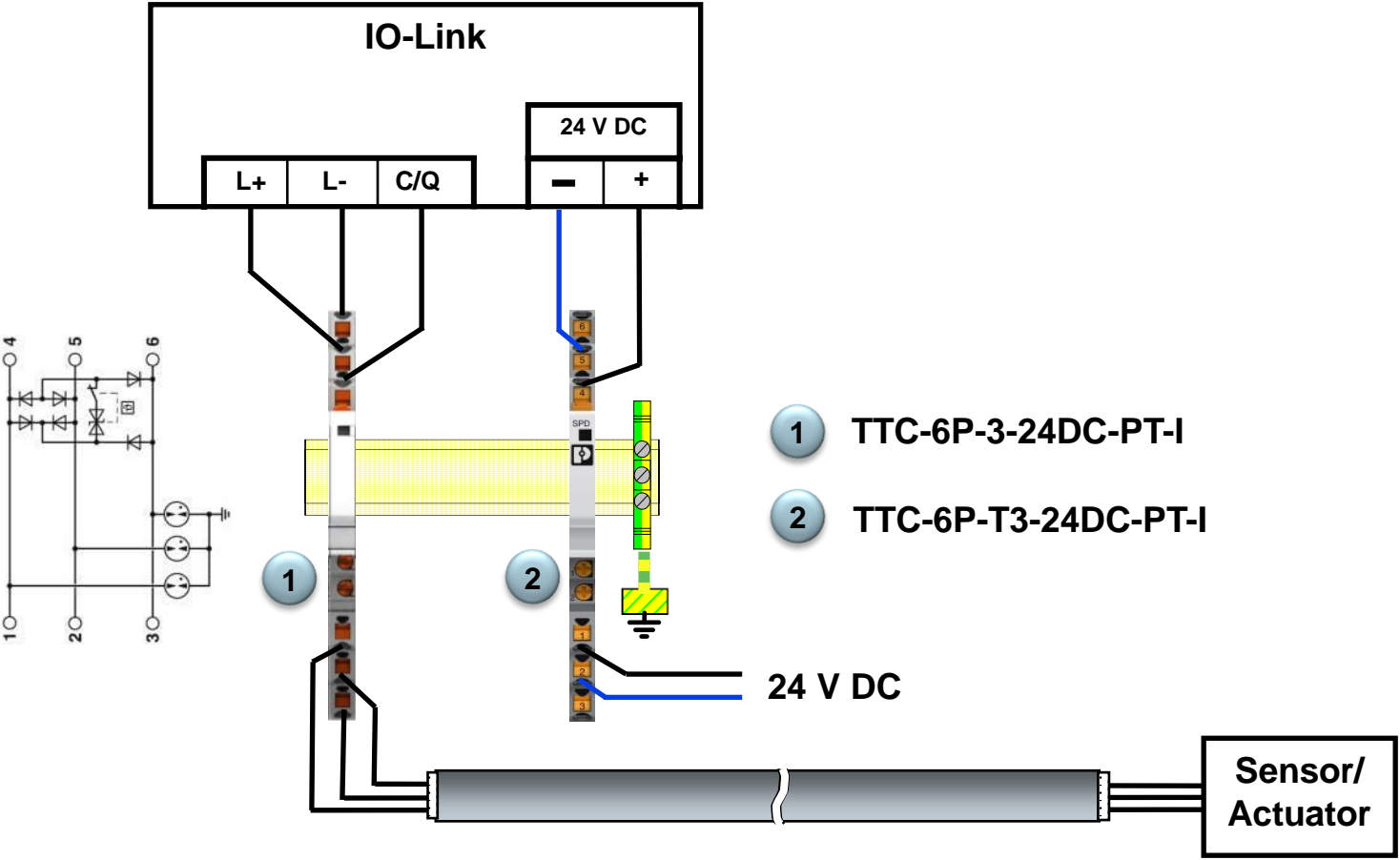


Surge protection at 3 wire IO-Link interface



Surge protection at 4 wire IO-Link interface (Port class A)

