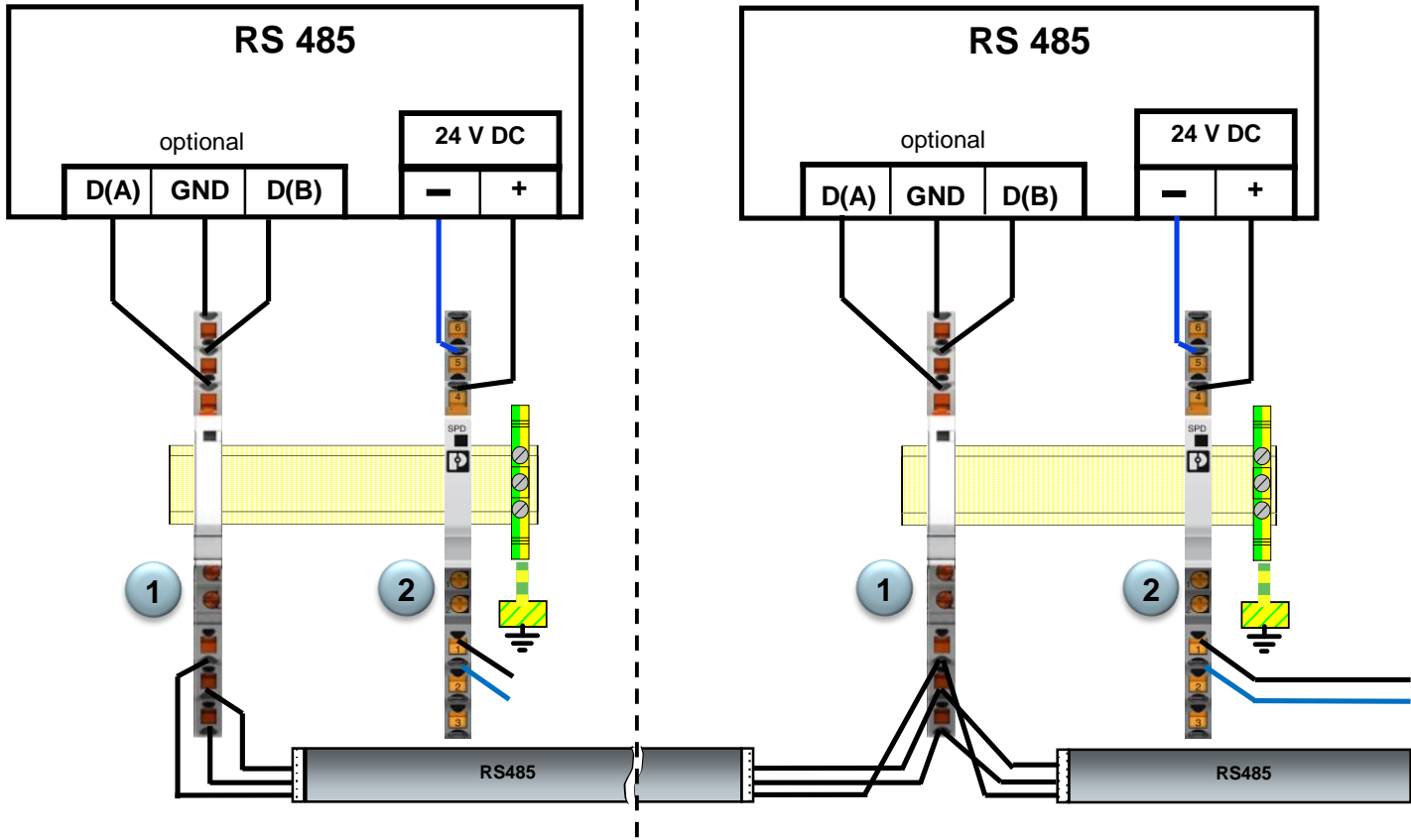
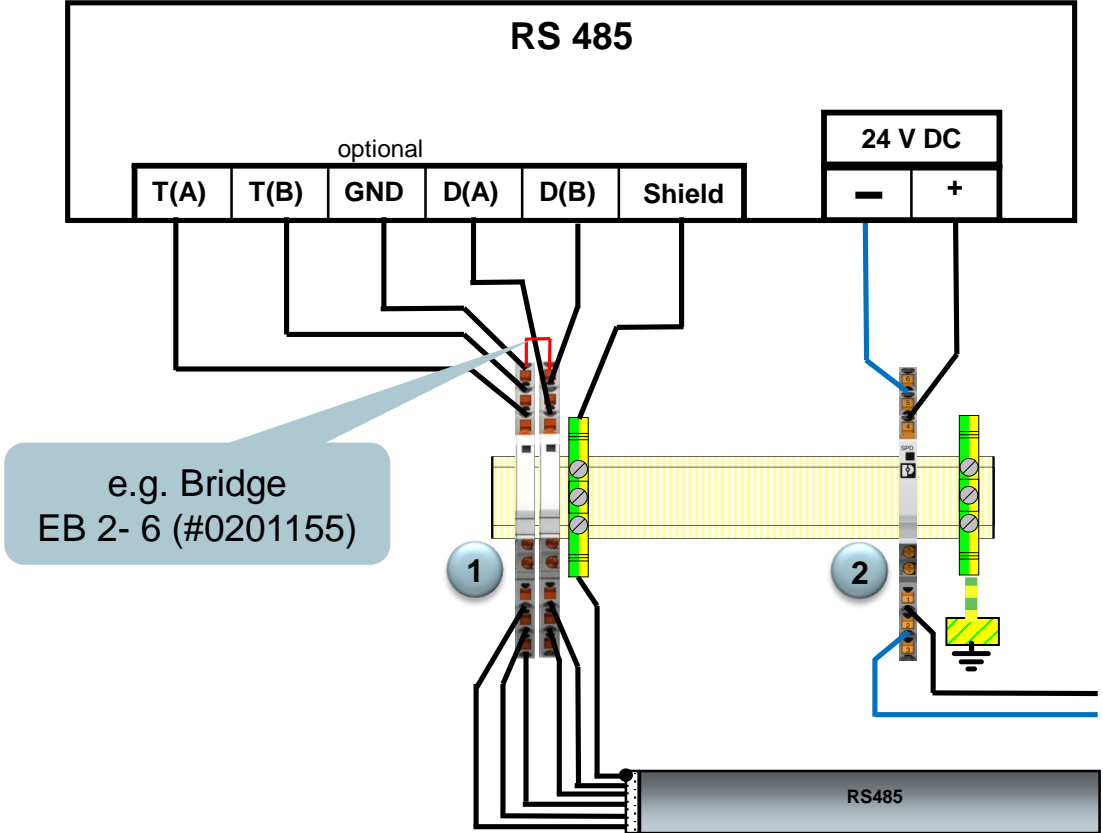


# Surge protection at 2 wire RS 485 interface



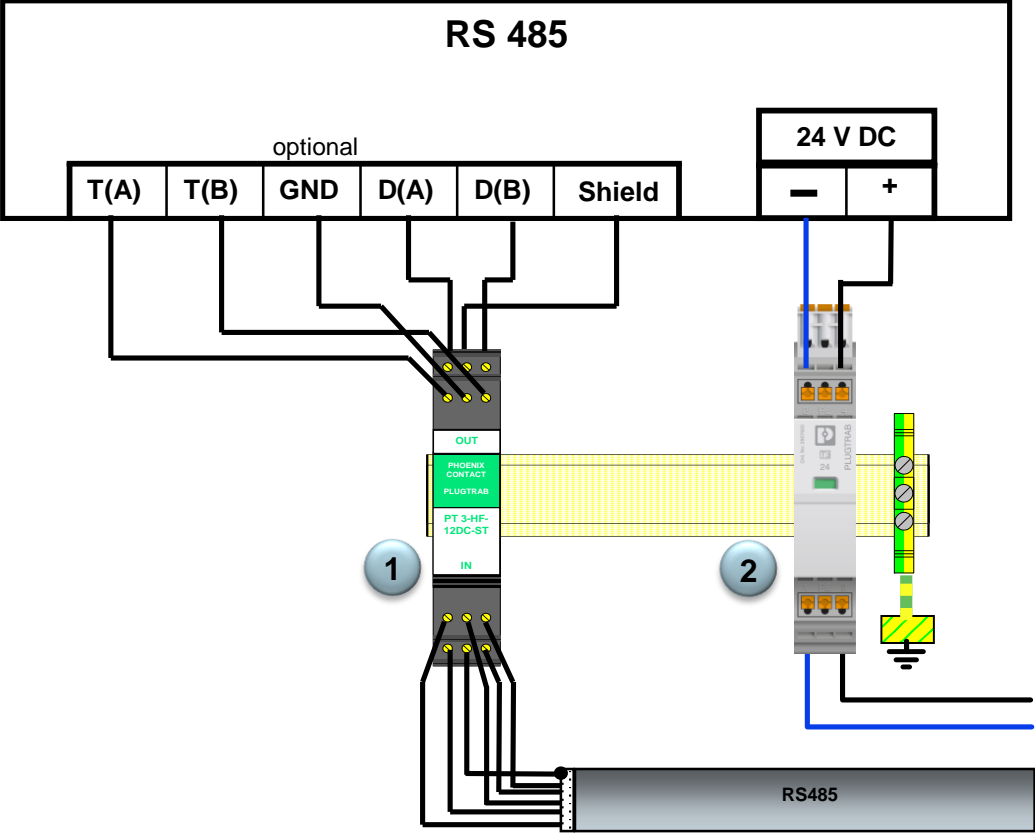
- 1 TTC-6P-3-HF-F-M-12DC-PT-I
- 2 TTC-6P-T3-24DC-PT-I

# Surge protection at 5 wire RS 485 interface



- 1 TTC-6P-3-HF-F-M-12DC-PT-I
- 2 TTC-6P-T3-24DC-PT-I

# Surge protection at 5 wire RS 485 interface



- 1 PT 5-HF-12 DC  
or  
PT-IQ-5-HF+F-12DC-PT
- 2 PLT-SEC-T3-24-FM-PT