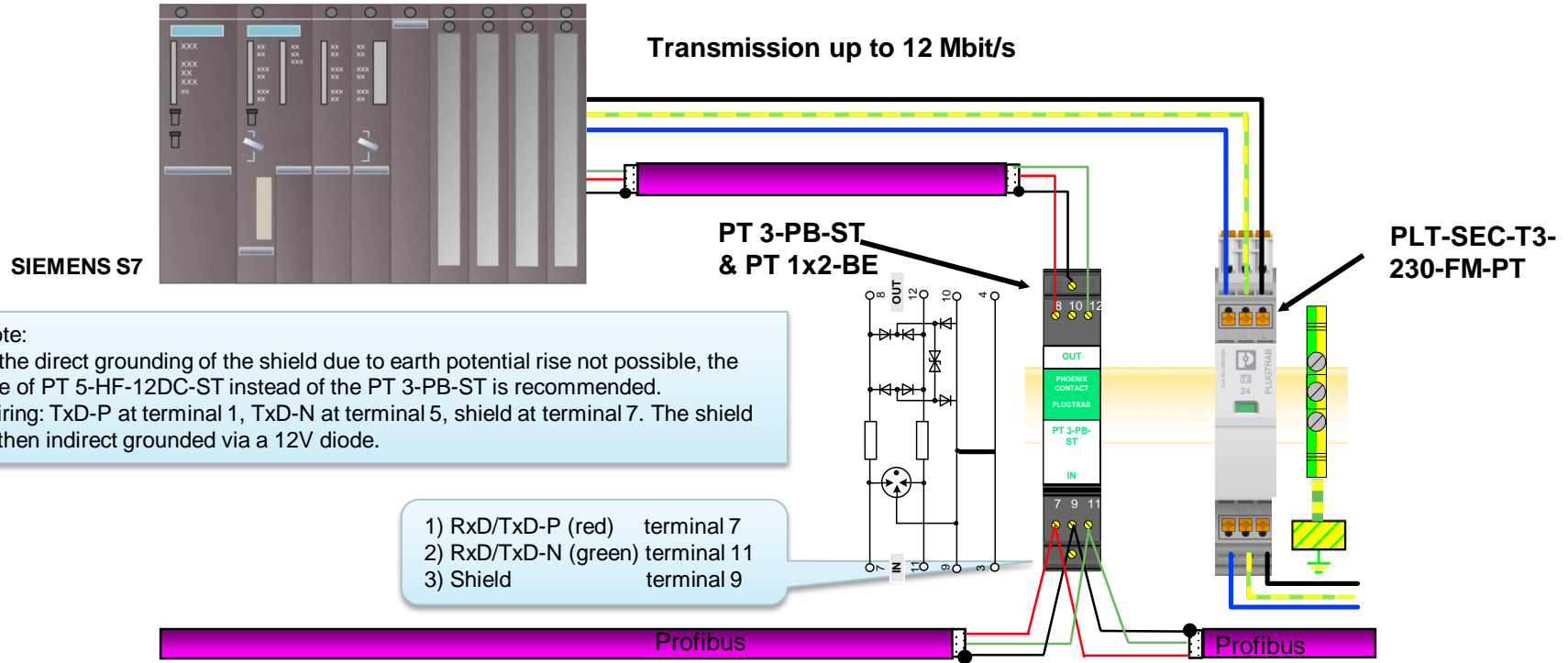


# Overvoltage protection at PROFIBUS DP / SINEC L2



# Overvoltage protection at PROFIBUS DP / SINEC L2

